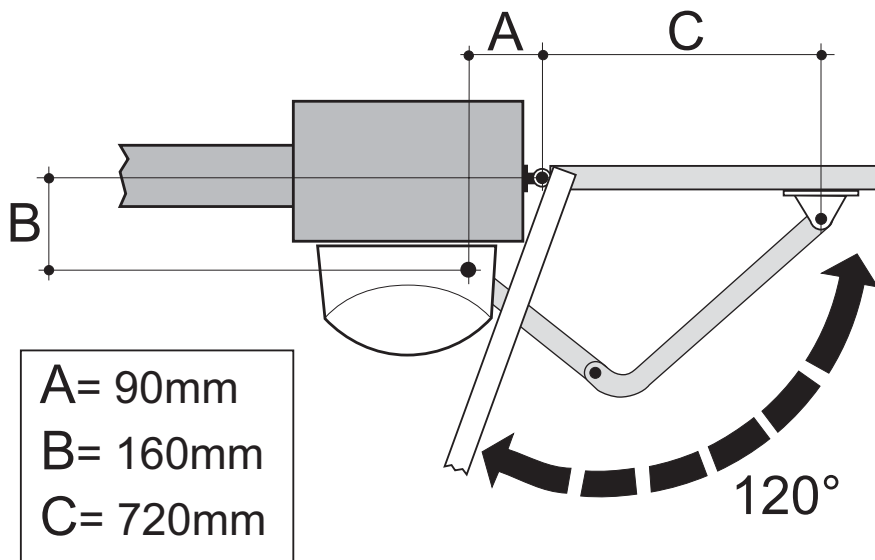
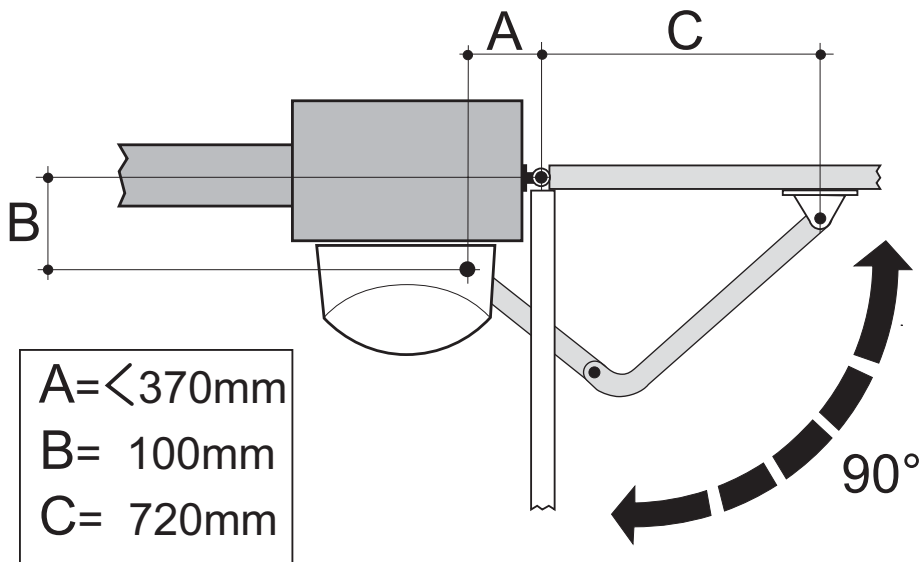
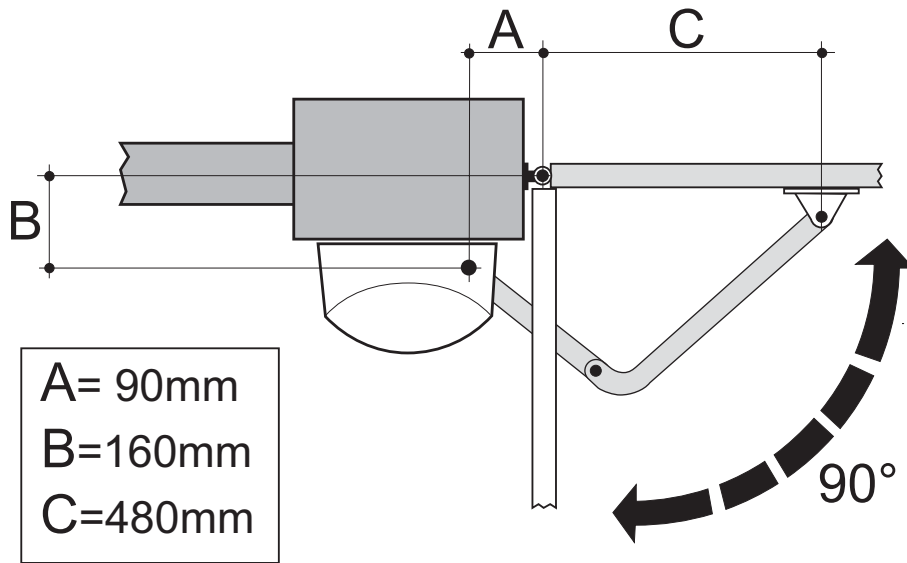
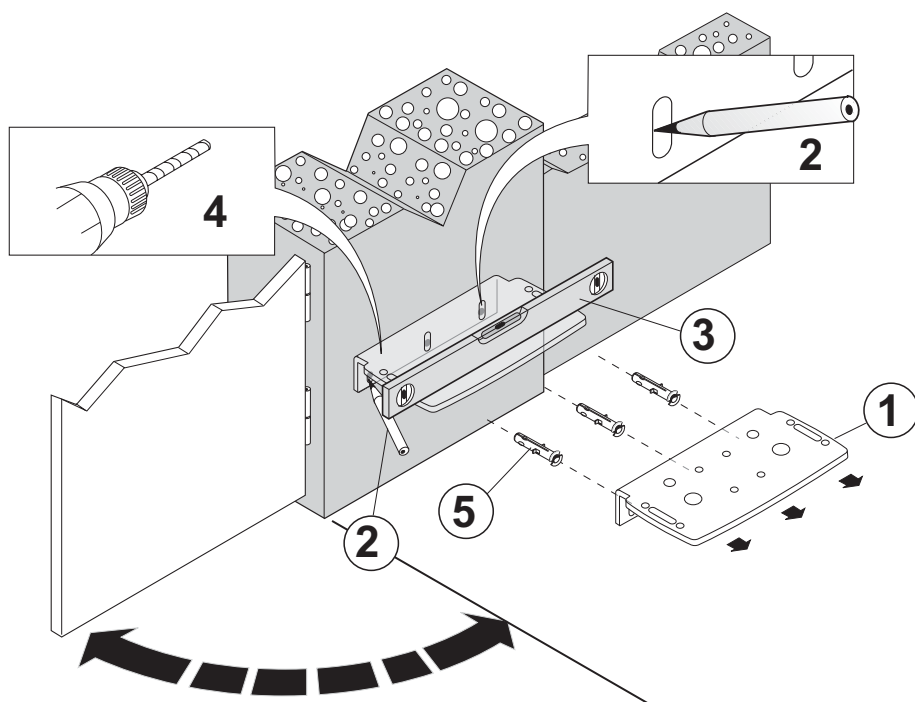
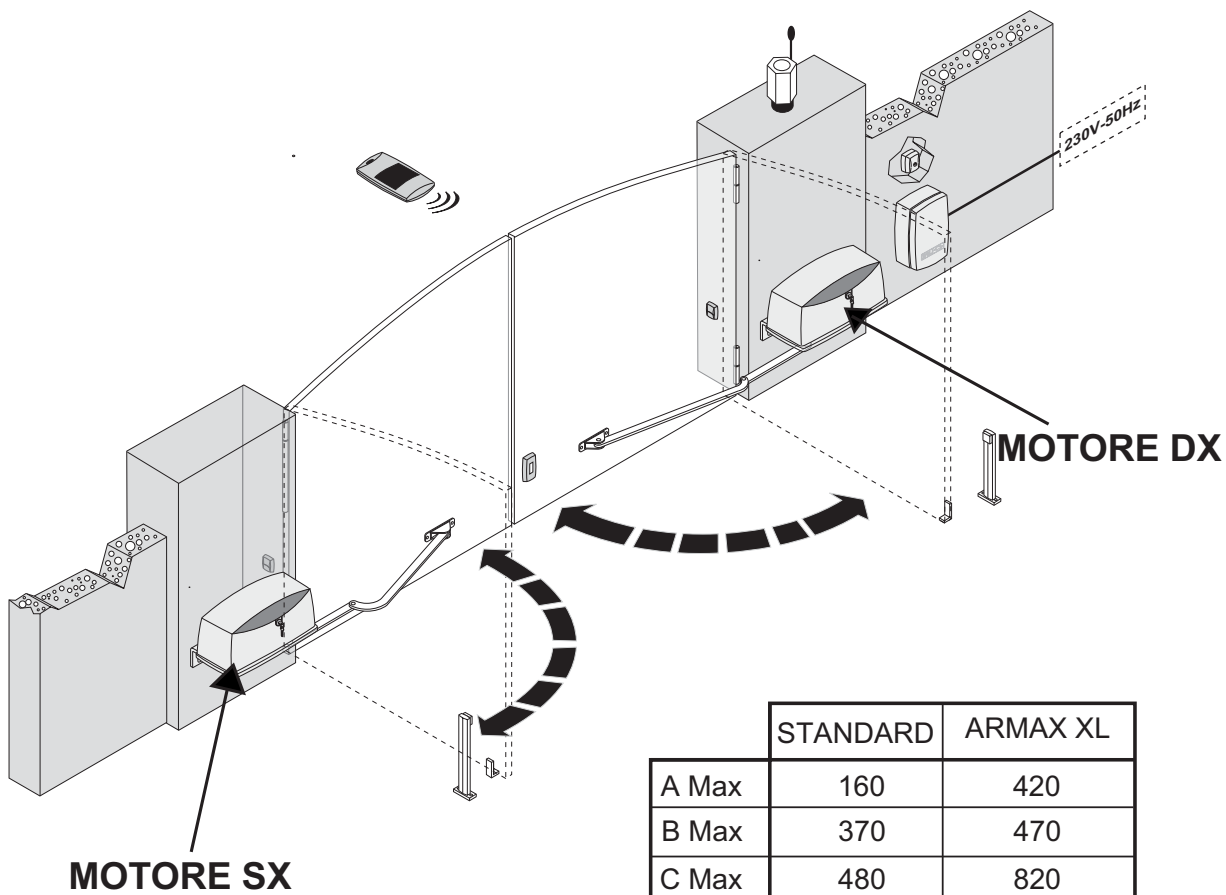
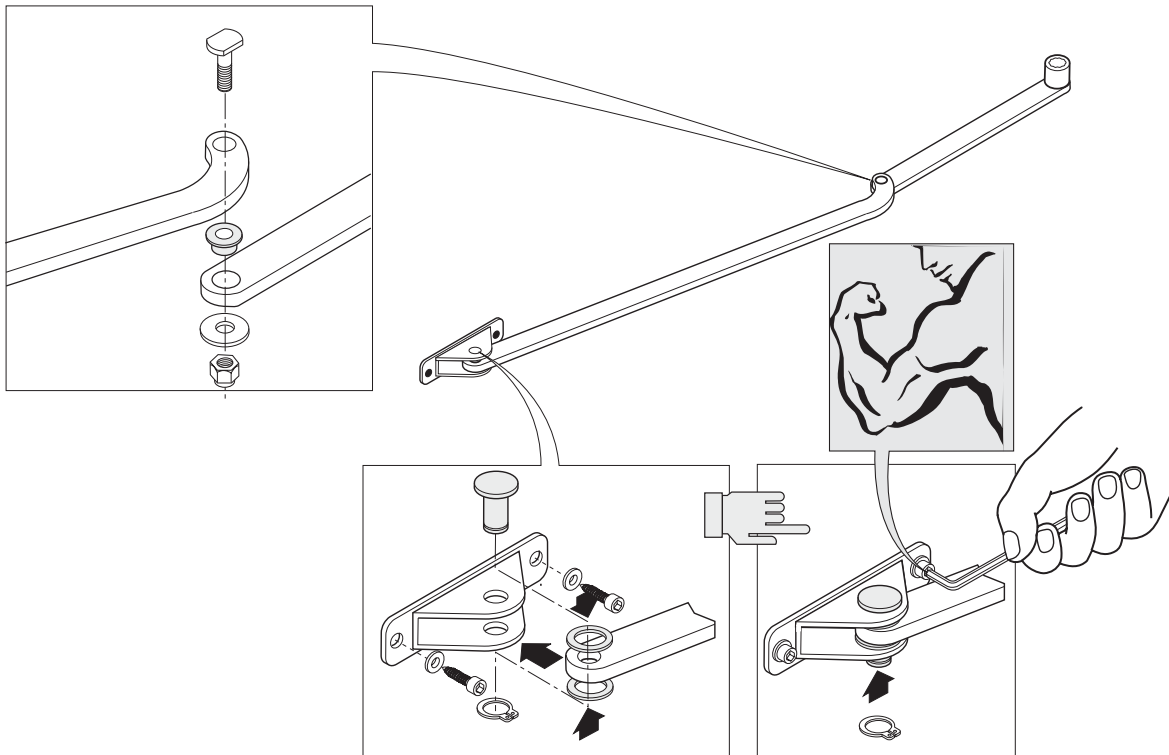
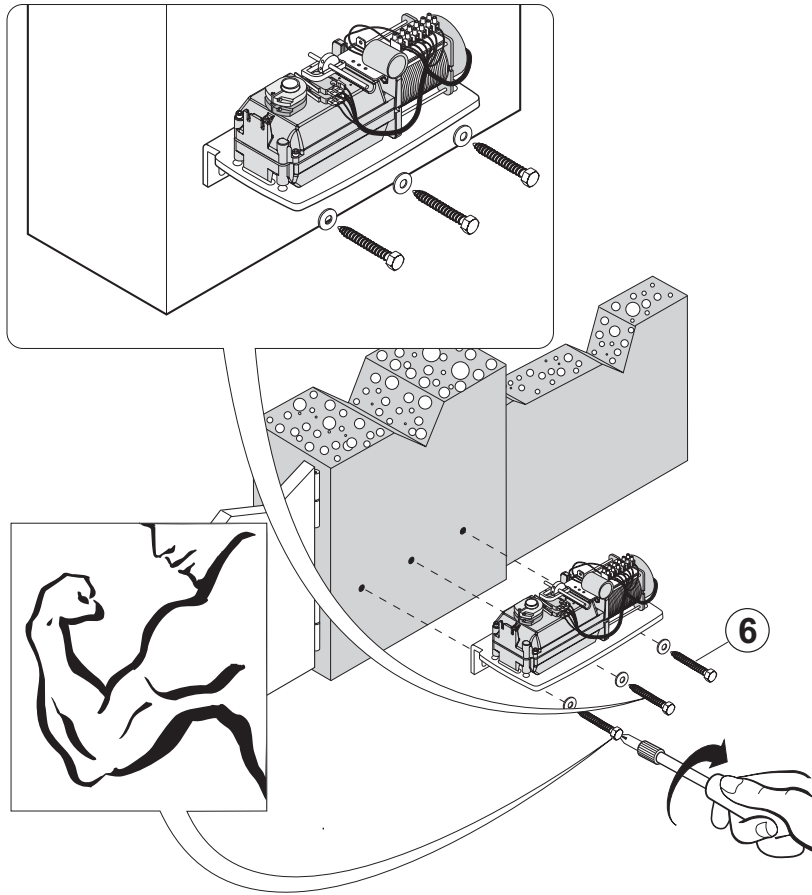


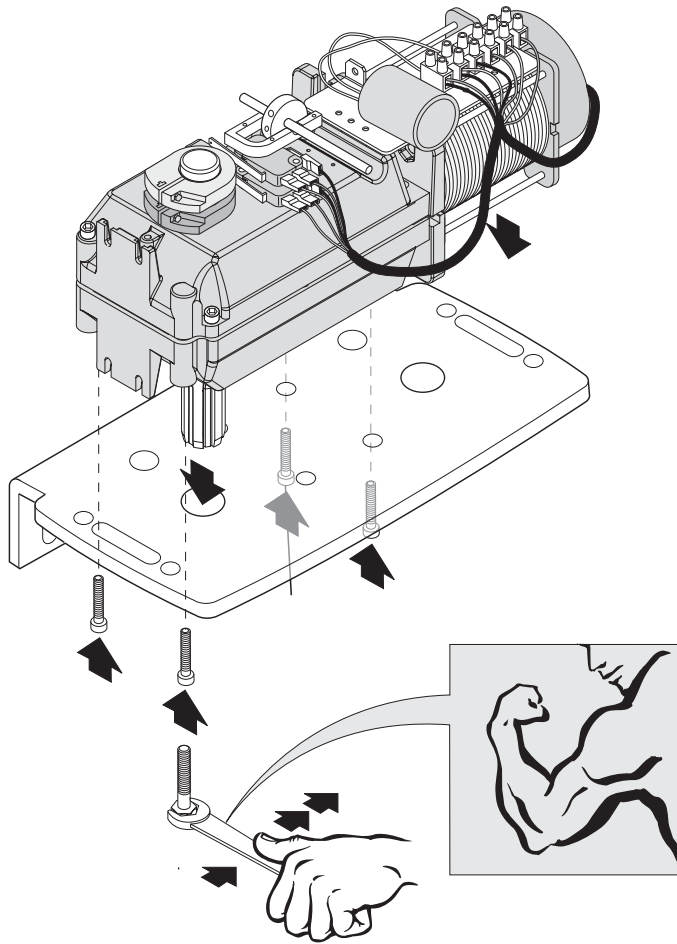
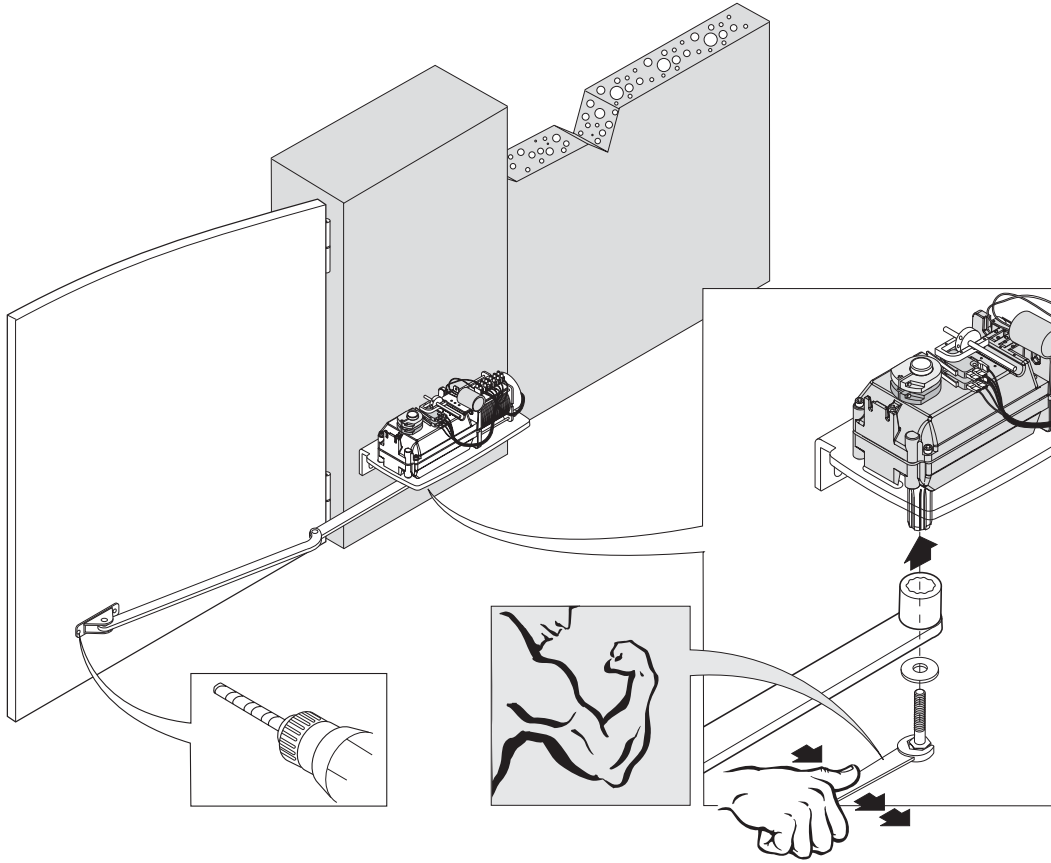
# SINUO

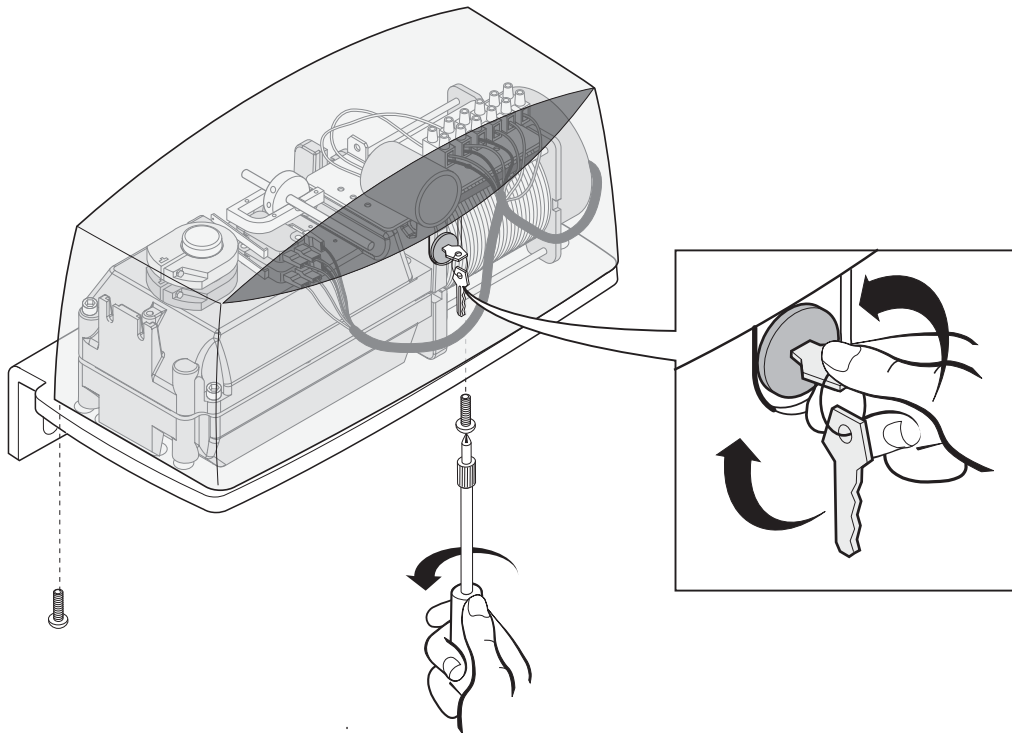
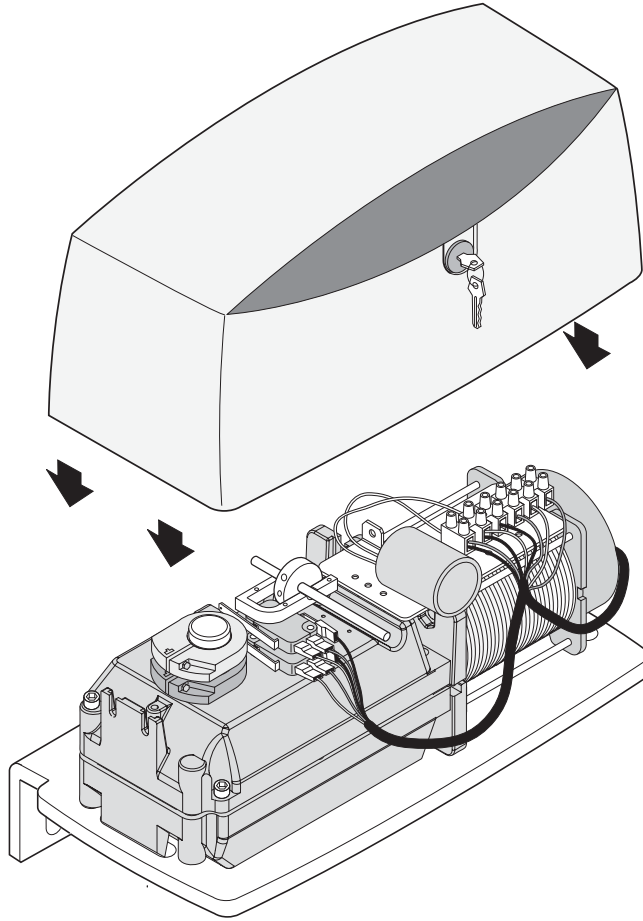


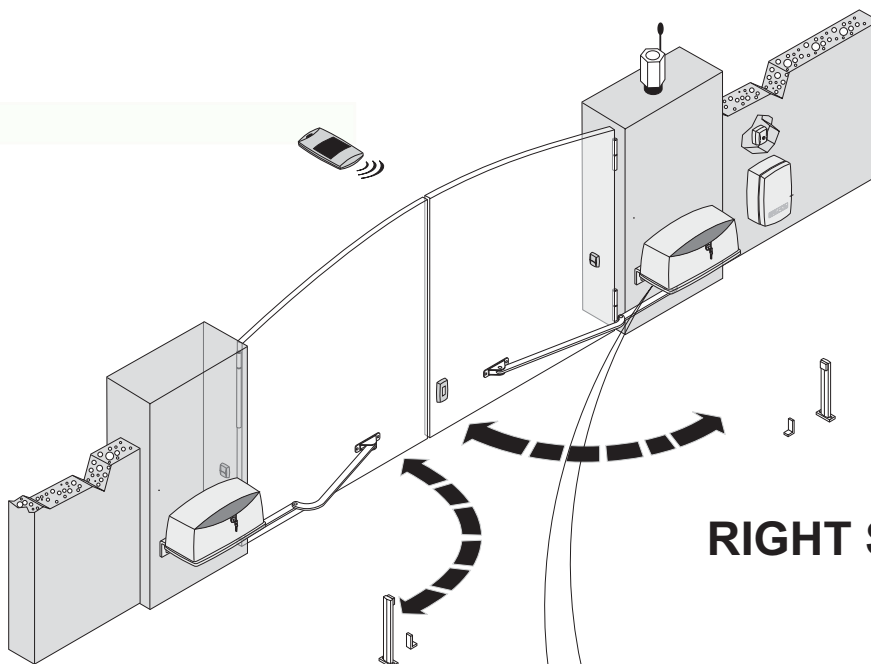










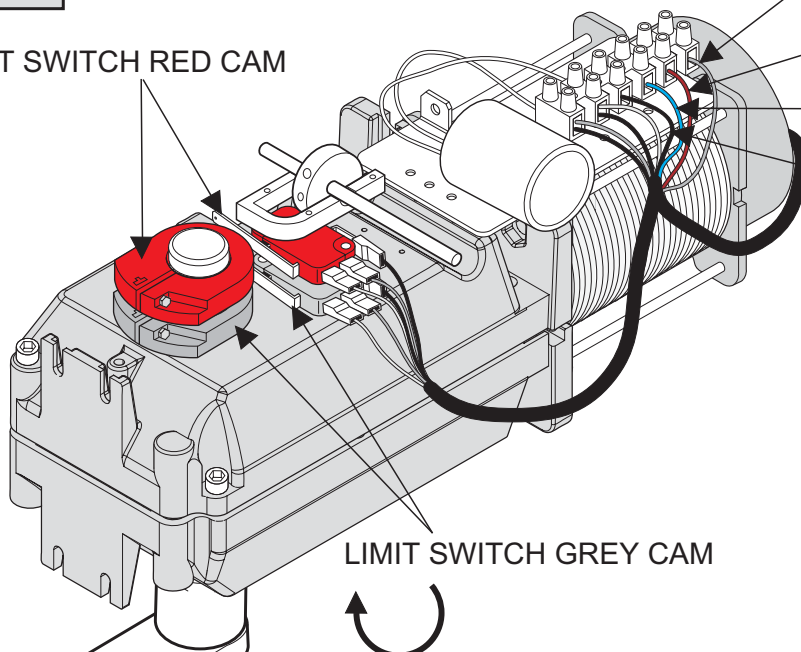


**RIGHT SINUS MOTOR**



**OPENS** ANTI-CLOCKWISE ROTATION

LIMIT SWITCH RED CAM



BROWN CLOSES

BLUE COMMON

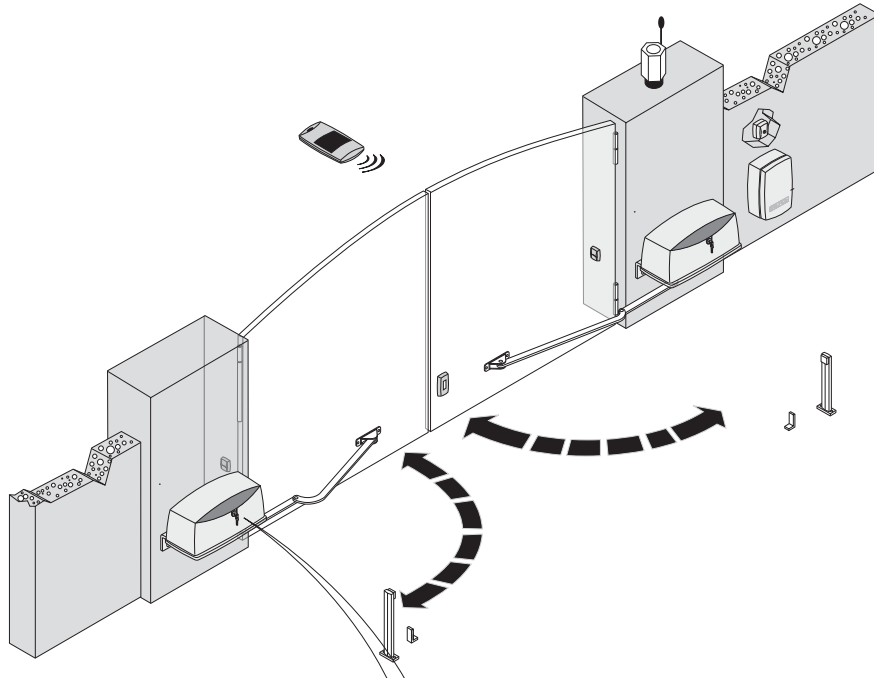
BLACK OPENS

LIMIT SWITCH GREY CAM

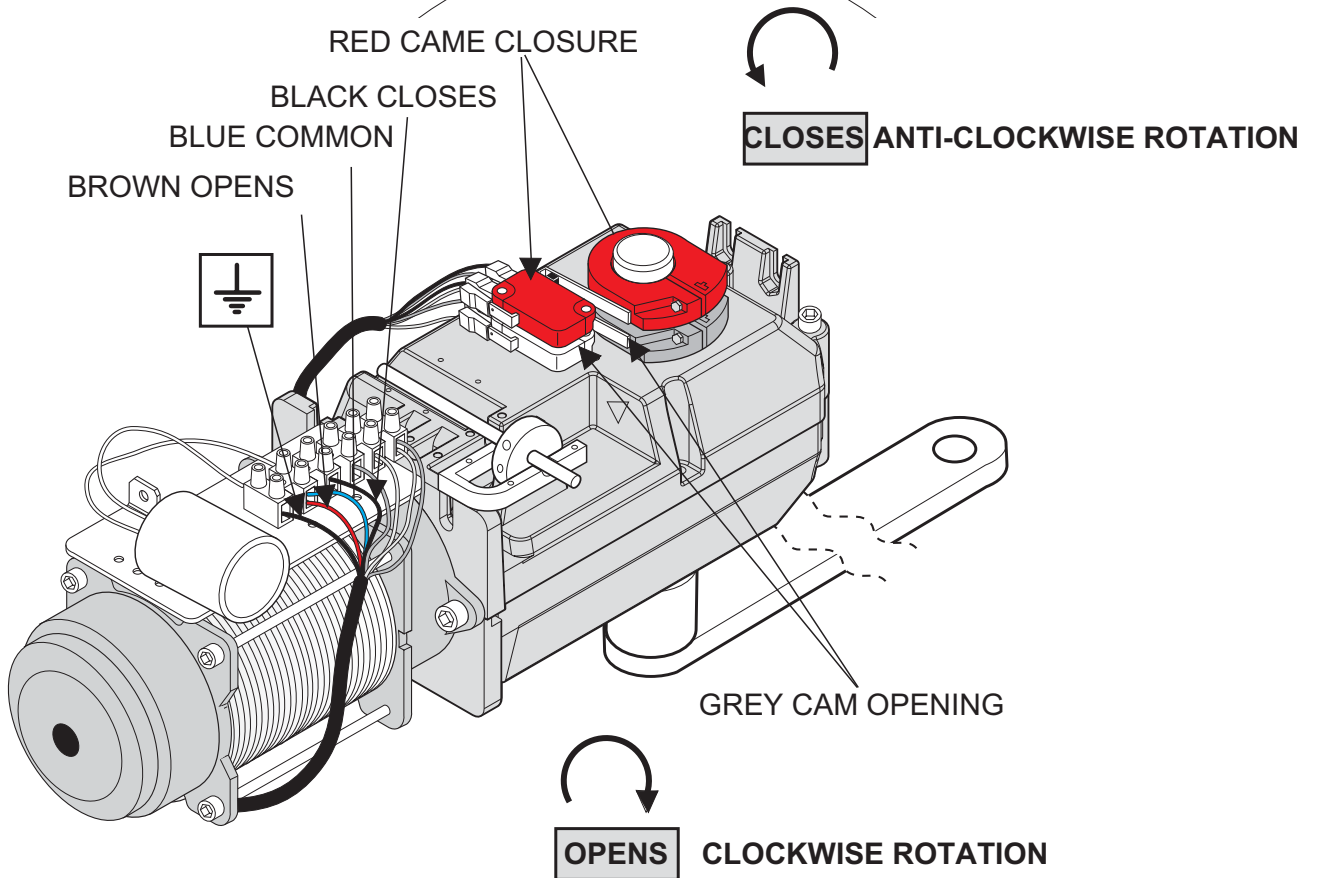


**CLOSES** CLOCKWISE ROTATION

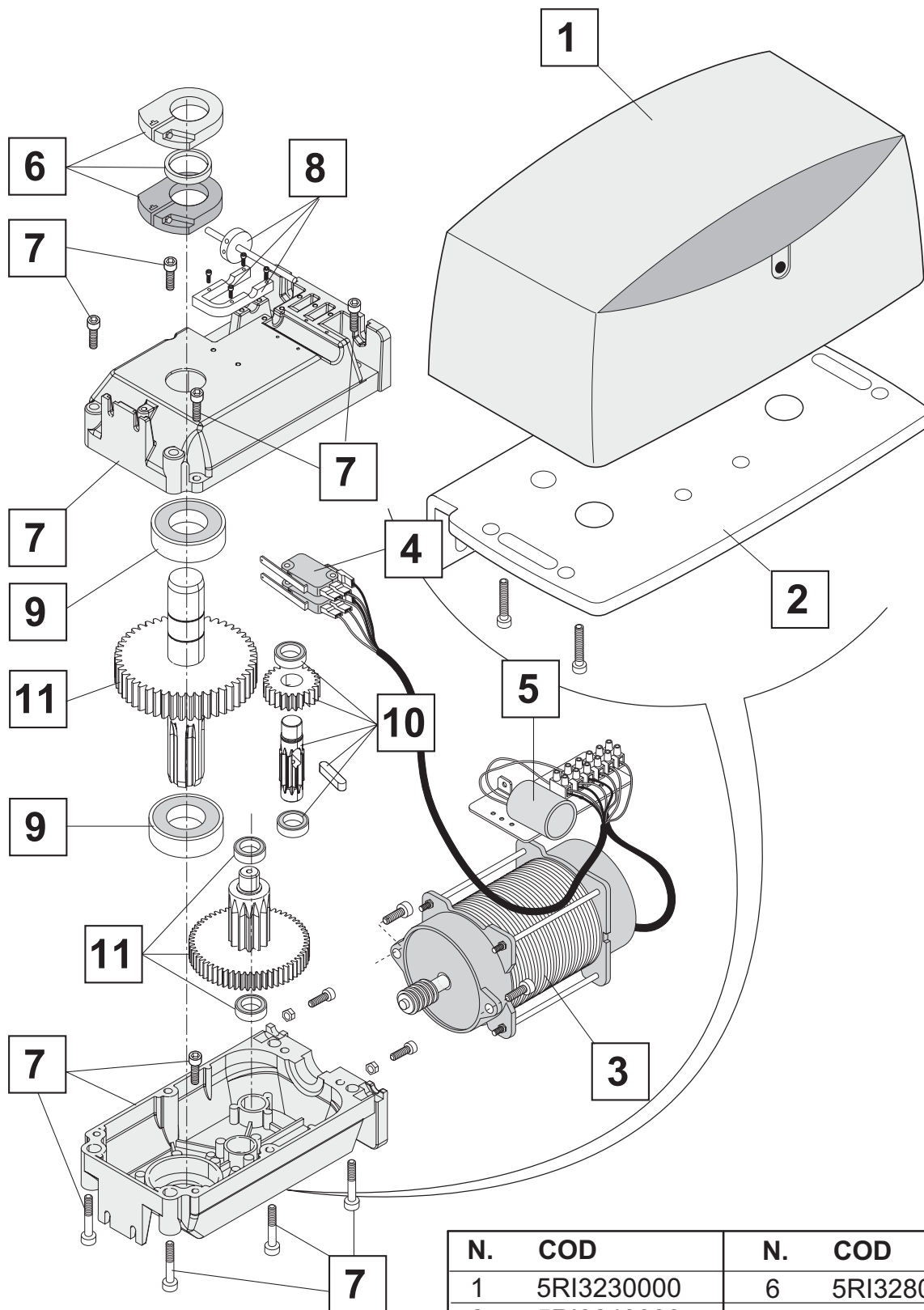




## LEFT SINUO MOTOR







N.	COD	N.	COD
1	5RI3230000	6	5RI3280000
2	5RI3240000	7	5RI3290000
3	5RI3250000	8	5RI3300000
4	5RI3260000	9	5RI3310000
5	5RI3270000	10	5RI3320000
		11	5RI3330000





# MANUFACTURE CE CONFORMITY DECLARATION

## CONFORMITY DECLARATION



According to 98/37/CE, file II, part B (manufacture CE conformity declaration)

LIFE home integration  
Via Sandro Pertini,3/5  
31014 COLLE UMBERTO (TV) – Italia

Declares that the following product:  
Actuator for swinging gate

**SINUO**

conforms to the essential requirements of the following regulation:

- Machine 98/37/CE (ex 89/392/CEE) regulation and subsequent amendments
- Low tension 73/23/CEE and subsequent amendments
- Electromagnetic compatibility 89/336/CEE and subsequent amendments.

conforms to the following regulation:

- EN 12445:2000 Industrial, commercial & garage doors & gates – Safety in use of motorised doors – Test methods
- EN 12453 Industrial, commercial & garage doors & gates – Safety in use of motorised doors – Requirements
- EN60204-1:1997 Industrial, commercial & garage doors & gates – Safety in use of motorised doors – Part 1: general rules

Declares that the set up of the above components, is allowed only if the installation that includes all these components, applies to regulation 98/37/CE

COLLE UMBERTO

Bearer

MICHELE RUI

Qualify:

PRESIDENT

Signature

\_\_\_\_\_



Address: Via Sandro Pertini, 3/5 - 31014 COLLE UMBERTO(TV) Italia

Telephone: + 39 0438 388592  
Telefax: + 39 0438 388593  
http: [www.homelife.it](http://www.homelife.it)  
e-mail: [info@homelife.it](mailto:info@homelife.it)

